

AUDIO LTC » SOFTWARE OPTION



The Audio LTC option allows bidirectional transfer and conversion between video timecode formats and audio/RS-485 LTC. Audio LTC can be received over a selected balanced analog audio, embedded or AES input channel. Audio LTC can similarly be sent as digital audio over a selected embedded or AES output channel. RS-485 LTC can be received or sent via an RS-485 port (when card slot is correspondingly fitted with a Rear Module that accommodates RS-485).

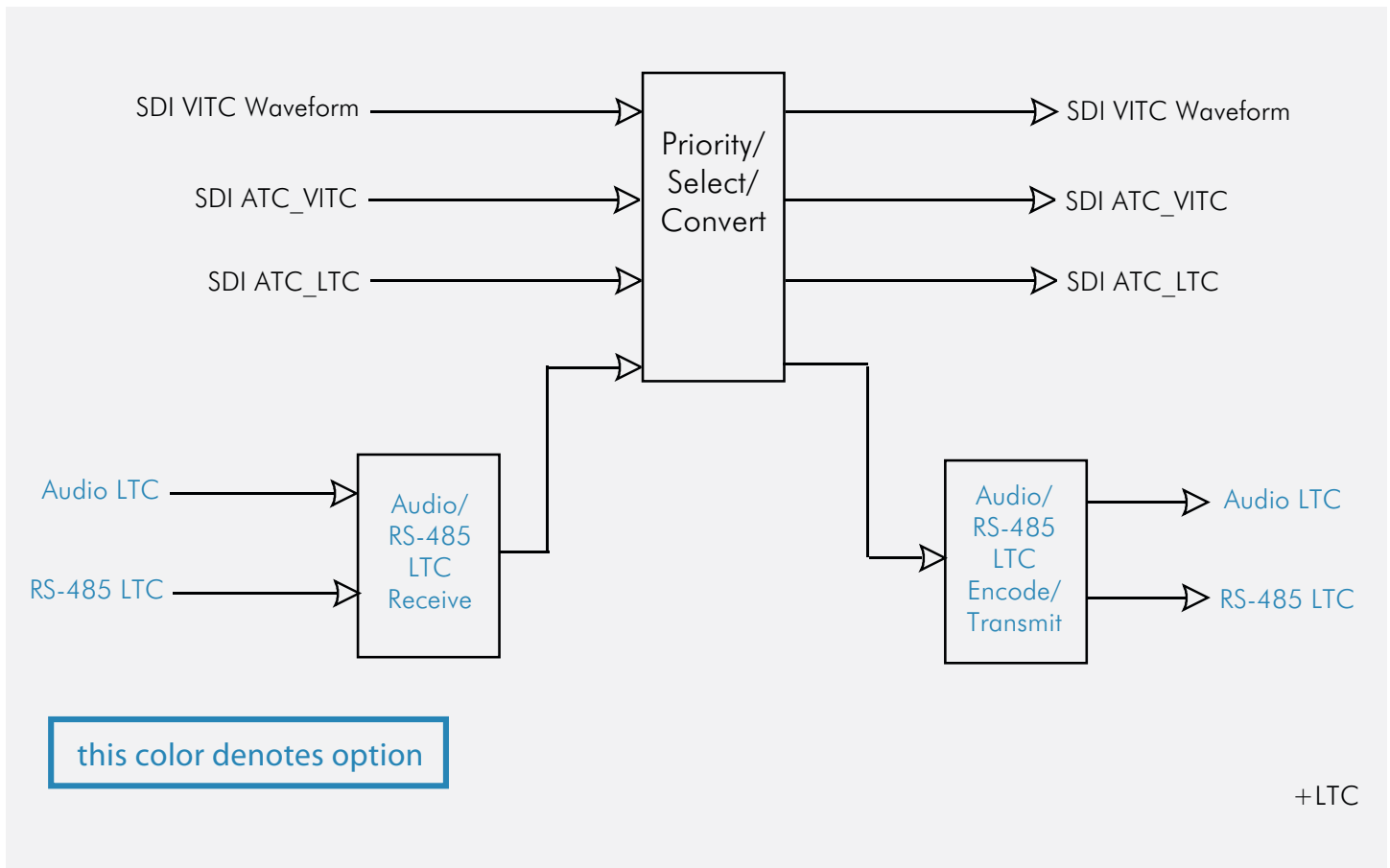
Cards with the +LTC option can monitor video streams, RS-485 and/or selected audio channels for supported timecode formats and then select and prioritize among VBI timecode formats and audio/RS-485 LTC. Any format received by the card can be outputted as audio or RS-485 LTC.

» FEATURES

Allows full timecode compatibility between contemporary and legacy systems such as tape decks

Seamless operation using the card standard timecode selection priority and output controls

Selectable "mute" control allows for automatic muting of audio LTC if selected input format is not available.



» ORDERING INFORMATION

+LTC Optional LTC RS-485/Audio Input/Output (Available on Fusion3G® and select 9000-series COMPASS® cards)

