

Cobalt color correction (available on many Cobalt® openGear® cards and stand-alone BBG-1000 series standalone units) in conjunction with our award-winning OGCP-9000/CC Remote Control Panel provides fast and intuitive color correction control.



Cobalt color correction offers RGB-space color correction with YCbCr proc features for 3G/HD/SD-SDI video streams. The RGB processing controls provide full offset, gain and gamma adjustments. The YCbCr proc controls provide lift, gain, saturation, phase, white clip (hard and soft), black clip, and color saturation clip – all with user presets save. Parameter updates are smooth and responsive, providing real-time adjustments ideal for use during live events. Even though extensive control of the signal from the RGB perspective is provided, signals that fall outside of the RGB gamut are still passed. Pluge and YCbCr limit ramp signals pass without modification. When the CbCr saturation clip is activated, the saturation limiting operation will not affect the color phase.

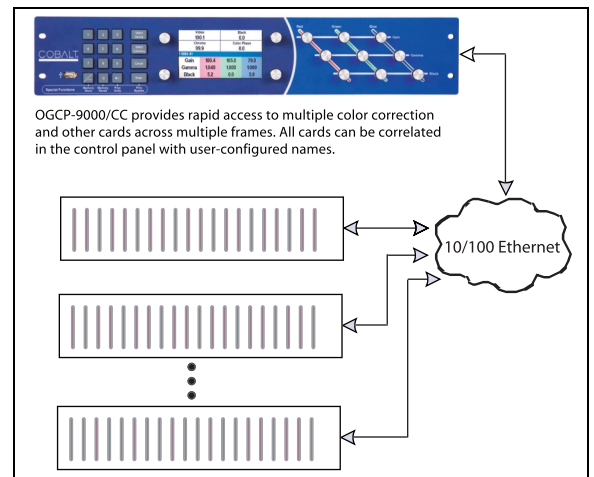
The synergy of our color correction cards coupled with the OGCP-9000/CC Remote Control Panel provides unparalleled ease and precision of use. Rotary controls on the control panel act like potentiometers and allow direct access to gain, gamma and black for each of the RGB channels, in addition to YCbCr proc controls. Highly intuitive velocity-based control ballistics allow exceptionally rapid large-scale changes while simultaneously providing very fine incremental precision with small adjustments. Controls can be ganged as desired, and one-button user presets allow saving custom settings as desired. A single, 2RU control panel can control dozens of individual color correction cards across multiple frames.



Communication with the cards and their openGear® frame occurs over the optimized high-speed Ethernet control protocol, allowing lightning-fast access. The OGCP-9000/CC offers instantaneous, real-time adjustments, so operators can manipulate on-air signals with confidence and precision.

### Features

- Easy to use, intuitive OGCP-9000/CC Remote Control Panel provides unparalleled ease of use and precision of multiple color parameters
- Full RGB color correction (offset, gain, gamma)
- Passes entire YCbCr gamut in unity gain configuration
- Extended YCbCr proc controls with white hard clip, white soft clip, black hard clip, and saturation clip
- One-button bypass of color correction for comparison purposes
- User presets allow multiple custom settings recall using a single button
- **+COLOR** option adds color correction as an easy-to-install firmware upload
- Five year warranty on cards, stand-alone units, and control panels



### Ordering Information

Color correction is available standard on many models or as an option as follows:

Color Corrector Models	Available As +COLOR Option On These and Other Models:
<ul style="list-style-type: none"> <li>• <b>9980-CSC-3G</b> 3G/HD/SD-SDI RGB Color Space Corrector / Framesync</li> <li>• <b>9980-2CSC-3G</b> 3G/HD/SD-SDI Dual-Channel RGB Color Space Corrector / Framesync</li> <li>• <b>BBG1080-CSC-3G</b> 3G/HD/SD-SDI Standalone RGB Color Space Corrector / Framesync</li> <li>• <b>BBG1080-2CSC-3G</b> 3G/HD/SD-SDI Dual-Channel Standalone RGB Color Space Corrector / Framesync</li> <li>• <b>9084</b> HD/SD-SDI RGB Color Corrector with YCbCr Video Proc and Frame Sync</li> <li>• <b>9064</b> Up/Down/Cross Converter with HD/SD-SDI Input, RGB Color Corrector, Frame Sync</li> </ul>	<ul style="list-style-type: none"> <li>• <b>9902-UDX</b> 3G/HD/SD-SDI Up-Down-Cross Converter/Frame Sync</li> <li>• <b>9902-UDX-DSP</b> 3G/HD/SD-SDI Up-Down-Cross Converter/Frame Sync with DSP Audio Options Support</li> <li>• <b>9903-UDX-ADDA</b> 3G/HD/SD-SDI Universal Format Converter/ Framesync</li> <li>• <b>9922-FS</b> 3G/HD/SD-SDI Framesync with Audio/Video Processing</li> <li>• <b>9922-2FS</b> 3G/HD/SD-SDI Dual-Channel Framesync with Audio/Video Processing</li> <li>• <b>9940-ACO</b> 3G/HD/SD-SDI Multi-Input Intelligent Auto-Changeover Switch with Optional Trouble Slate Inserter</li> <li>• <b>9940-4x1-CS</b> 3G/HD/SD-SDI 4x1 Clean and Quiet Bypass Router</li> <li>• <b>9501-DCDA</b> Down-Converter/DA with 3G/HD/SD-SDI Input and Analog Video/Audio Outputs</li> <li>• <b>9502-DCDA</b> Down-Converter/DA Down-Converter/DA with 3G/HD/SD-SDI Input, HD/SD-SDI Processed Outputs</li> <li>• All Fusion3G® cards (9901-UDX, 9921, 9985, 9931)</li> </ul>
<p><b>Color Corrector Remote Control Panel</b></p> <ul style="list-style-type: none"> <li>• <b>OGCP-9000/CC</b> Remote Control Panel for Color Corrector Cards and BBG-1000 Series Standalone Units</li> </ul>	<p><b>openGear®</b></p> <p><b>BBG4000</b></p> <ul style="list-style-type: none"> <li>• <b>BBG-1002-UDX</b> 3G/HD/SD-SDI Standalone Up-Down-Cross Converter/ Frame Sync/Audio Embed/ De-Embed</li> <li>• <b>BBG-1002-UDX-DSP</b> 3G/HD/SD-SDI Standalone Up-Down-Cross Converter/Frame Sync with DSP Audio Options Support</li> <li>• <b>BBG-1003-UDX-ADDA</b> 3G/HD/SD-SDI Standalone Universal Format Converter/Frame Sync</li> <li>• <b>BBG-1022-FS</b> 3G/HD/SD-SDI Standalone Frame Sync with Audio/Video Processing</li> <li>• <b>BBG-1022-2FS</b> 3G/HD/SD-SDI Standalone Dual-Channel Frame Sync with Audio/Video Processing</li> <li>• <b>BBG-1040-ACO</b> 3G/HD/SD-SDI Standalone Multi-Input Intelligent Auto-Changeover Switch with Optional Trouble Slate Inserter</li> <li>• <b>BBG-1040-4x1-CS</b> 3G/HD/SD-SDI Standalone 4x1 Clean and Quiet Bypass Router</li> </ul>