

Fusion3G<sup>®</sup> is virtually unmatched in single-card Dolby<sup>®</sup> audio capacity and capabilities. Several Dolby options provide capacity that optimizes your overhead in costs, size, and bandwidth economy. Powerful on-card DSPs allow for same-card multiple-stream encoding.

Dolby encoders can use any audio source supported by the card (including mixed, upmixed, and loudness-processed sources). Encode using internal metadata selections with a full complement of encoding formats and bit rates, as well as using external metadata from RS-485, SMPTE 2020 embedded metadata, or from same-card Dolby<sup>®</sup> decoder.

Dolby<sup>®</sup> encoder options are available on new cards, or as an easy-to-install field upgrade using a license key upload to the card via DashBoard™ remote control.

- **Dolby<sup>®</sup> Digital/Digital Plus™ Encoding Options** — Provides Dolby<sup>®</sup> Digital/Digital Plus™ encoding from any combination of audio sources supported by the card (including upmixed and loudness-processed signals). Full metadata support using internally generated or external metadata via SMPTE 2020, RS-485, or from a same-card decoder.

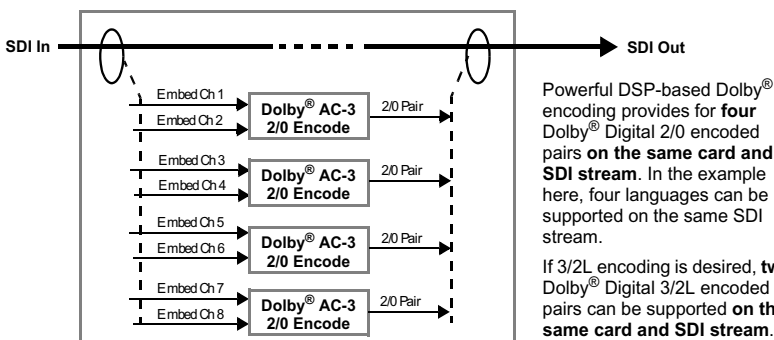
Up to **four independent encoders** (+ENCDA thru +ENCDD) can be accommodated on the same card. This allows for multiple-stream encoding that supports four languages or SAP streams on the same SDI stream. Independent encoders can support distinct coding modes and bit rates for each encoded pair.

Multiple encode capacity is contingent on codec format, mode, bit rate and other factors. Contact Cobalt Sales for more information about multiple simultaneous encode details.

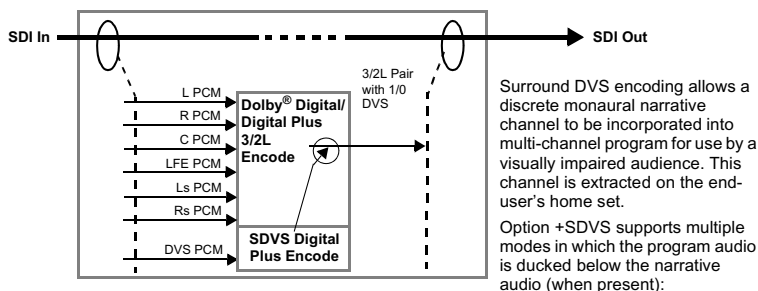
- **Dolby<sup>®</sup> E Encoding** (+ENCE option) — Provides Dolby<sup>®</sup> E encoding from any combination of audio sources supported by the card (including upmixed and loudness-processed signals). Full metadata support using internally generated or external metadata via SMPTE 2020, RS-485, or from a same-card decoder.

- **Dolby<sup>®</sup> Surround Descriptive Video Services (DVS<sup>®</sup>) Encoding** (+SDVS option) — Provides SDVS retaining all the surround content from the original 5.1-channel mix, with this content aesthetically ducked (via new External Program Scaling Factor (EPSF) metadata) to accommodate and promote the descriptive narrative when present. The vision-impaired listener experiences the dynamicism and impact of the full multi-channel program audio while being provided with the useful descriptive content without compromise. (Requires card also licensed with +ENCDA and +ENCDB.)

## Encoding Multiple Dolby<sup>®</sup> Digital Streams On The Same Card / Same SDI Stream



## DVS<sup>®</sup> Encoding Using Dolby<sup>®</sup> Digital Plus™ Encoding and Option +SDVS



- Advanced Automatic mode automatically ducks program audio and provides aesthetic impact allowing control of ducking attack and release characteristics.
- Warble-Tone Mode accommodates production coding of narrative audio panning across multi-channel audio.

Dolby<sup>®</sup> encoder technology on this card is manufactured under license from Dolby Laboratories.  
 DVS<sup>®</sup> is a registered trademark of WGBH Media Access Group.  
 Loudness processor licensed feature uses AEROMAX™ algorithms provided under license from Linear Acoustic Inc.  
 Linear Acoustic is a registered trademark of Linear Acoustic Inc.

+ENC options for Fusion3G<sup>®</sup> are available in any combination of the following:

- **+ENDCA** – Full Digital/Digital Plus encoder (3/2L or lower modes)
- **+ENDCB** – Full Digital/Digital Plus encoder (3/2L or lower modes)
- **+ENDCC** – 2/0 Digital/Digital Plus encoder
- **+ENDCD** – 2/0 Digital/Digital Plus encoder
- **+SDVS** – SDVS encoding (requires two ENCD encoders)