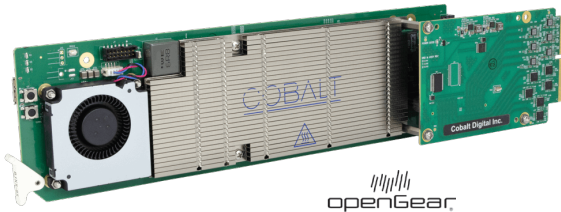


INDIGO OG-2110-BIDI4-GATEWAY • SMPTE ST 2110 BI-DIRECTIONAL 4 CHANNEL GATEWAY

**INDIGO
SERIES**



The COBALT DIGITAL INDIGO OG-2110-BIDI4-GATEWAY has native SMPTE ST 2110 support in an openGear® format card with dual 25G Ethernet interfaces for ST 2022-7 support.

The INDIGO OG-2110-BIDI4-GATEWAY is a bi-directional quad channel native ST 2110 interface to SDI I/O.

The transmit and receive paths of the gateway can operate simultaneously.

INDIGO OG-2110-BIDI4-GATEWAY also includes support for ST 2022-7 seamless redundancy switching, as well as IS-04/IS-05 NMOS for automatic discovery and configuration.

The INDIGO OG-2110-BIDI4-Gateway creates a powerful On and Off ramp to and from IP / SDI

Features

Highly integrated 4 channel ST 2110 gateway openGear® card.

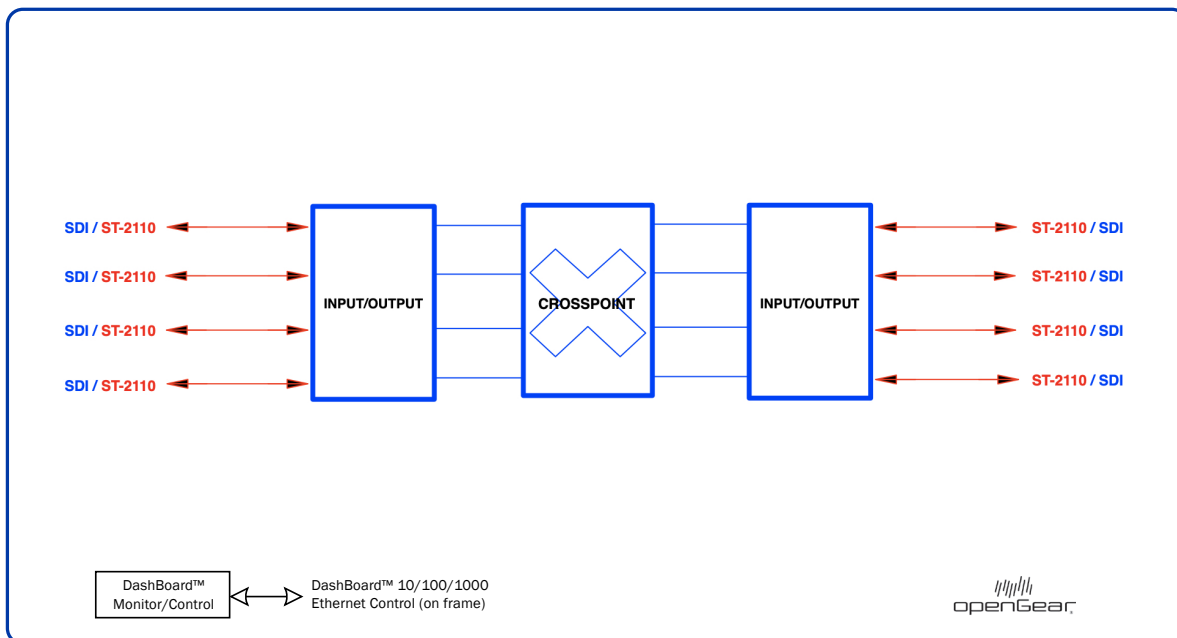
Built-in NMOS support offers straightforward interface to an existing network, with auto-discovery by the network management.

Offers dual 25G Ethernet interfaces for ST 2022-7 support of 4K signals without the need for any type of compression and to support ST 2022-7 seamless redundancy switching for improved network reliability.

High-density, compact openGear® card-based solution, with multiple devices able to be combined into a single frame for multi-channel operation, as well as offering the standard features of redundant hot-swappable power supplies and hot-swappable cards.

Free DashBoard™ software control provides configuration and control of the unit via Ethernet.

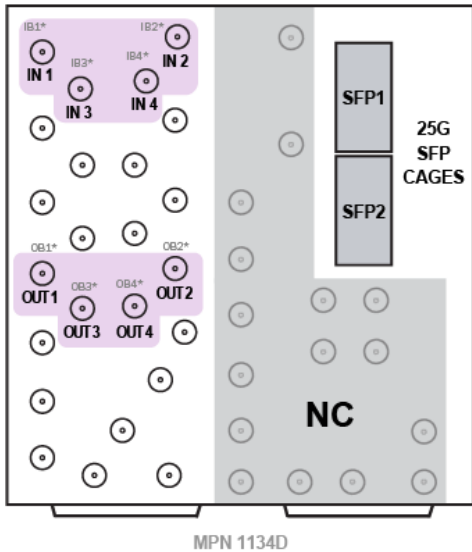
Five-Year warranty



INDIGO OG-2110-BIDI4-GATEWAY • SMPTE ST 2110 BI-DIRECTIONAL 4 CHANNEL GATEWAY

Ordering Information

INDIGO OG-2110-BIDI4-Gateway openGear® card



RM20-OG-2110-BIDI-GATEWAY-A

20-Slot Frame Rear I/O Module (Double-Width)

- (4) 12G/6G/3G/HD/SD/SD-SDI Inputs
- (4) 12G/6G/3G/HD/SD/SD-SDI Outputs
- (2) 25G SFPs/Receptacles

*All coaxial connectors HDBNC