

OG-PC-x86-A • Integral Frame-Installed PC for openGear® Frames

The **OG-PC-x86-A Integral Frame-Installed PC for openGear® Frames** is a compact PC which is installed directly in the frame in the form of an openGear-style card with a double-width rear I/O module. The OG-PC-x86-A gets its power from the frame midplane with no external patches or sources. The full-featured PC is the perfect solution for a headless computer where rack space is limited – the OG-PC-x86-A frees-up the installation from wasting space on a separate 1RU server (especially useful for flypack setups). Using the OG-PC-x86-A, special applications of your choice can be conveniently collocated directly in the frame.

The OG-PC-x86-A installs just like other openGear® device. The OG-PC-x86-A is equipped with a rear panel that provides dual GigE, USB 2.0 and 3.0, HDMI, serial, as well as a DisplayPort.

Basic Processing Details

- Intel® Pentium® N3710
- 4-Core
- 1.6 GHz (2.56 GHz burst)
- 8GB DDR3



FEATURES

Self-contained compact integrated PC solution – eliminates the need for separate 1RU server in rack

Full-function high-speed PC with optional high-capacity SSD and dual HDD RAID backup availability

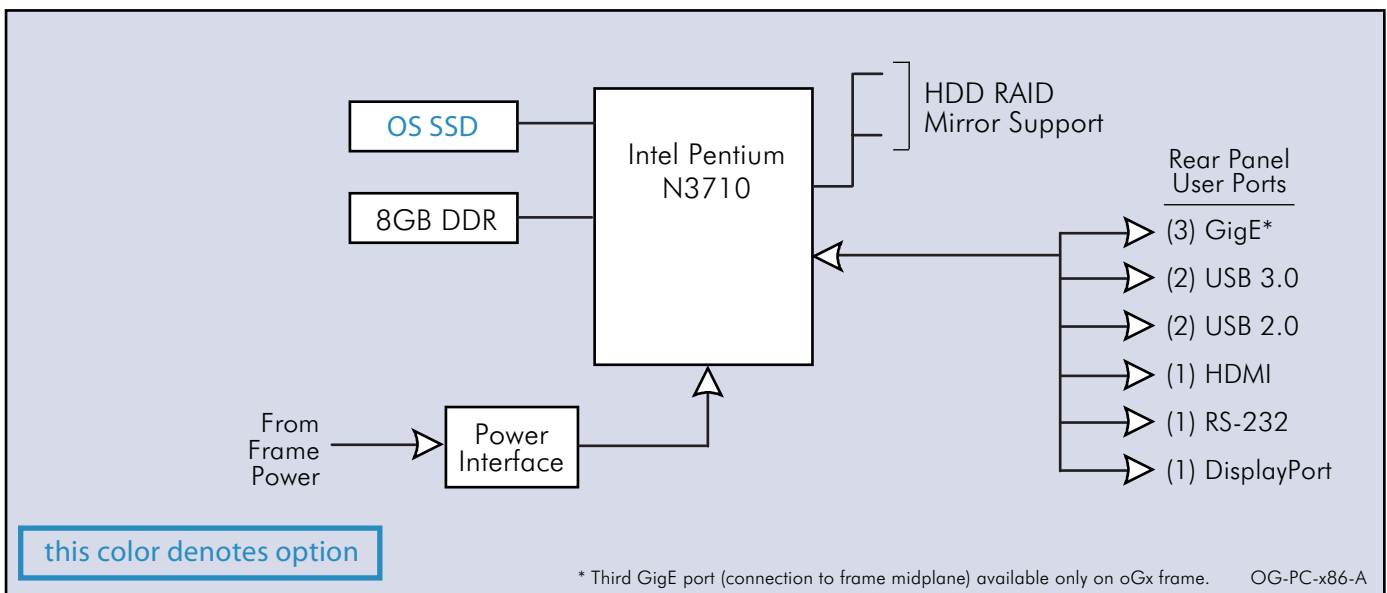
Obtains operating power from frame – no added or external power connections needed

Ruggedized openGear-compliant design. Plugs directly into frame with user ports exposed on rear of unit.

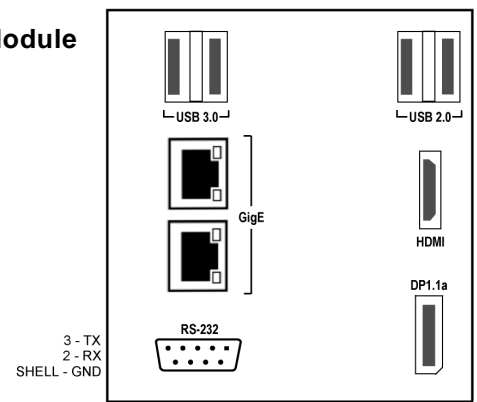
Hardware control features such as power on/off, reset, and sleep are accessible via DashBoard remote control – no need for physical collocation to invoke hard reset or similar actions

Full complement of user ports, including dual GigE and USB, as well as HDMI and DisplayPort

Low power consumption with minimal effect on overall frame power budget



Rear I/O Module



OG-PC-x86-A • Integral Frame-Installed PC for openGear® Frames

SPECIFICATIONS

Processor System

CPU: Intel® Pentium® N3710
 Base Frequency: 1.6 GHz (burst to 2.56 GHz)
 Core Number: 4
 BIOS: AMI UEFI 64 Mbit
 Instruction Set: 64 bit
 For detailed information on the Intel® N3710 Processor used in this product, please see **Intel Pentium Processor N3710**

Memory

Technology: DDR3L 1600 MHz
 Max. Capacity: 8GB

Storage

1x M.2 M-Key SATA (OS SSD specification defined by order option)
 2x HDD 2.5in SATA

Display

Intel® HD Graphics 505
 HDMI: 1.4b up to 3840 x 2160 at 30 Hz
 DisplayPort: 1.1a up to 3840 x 2160 at 30 Hz

Ethernet

Speed: 10/100/1000 Mbps
 Connectors: (2) RJ45 on rear I/O panel

Power

Note: Power figures below represent worst-case (all USB ports fully loaded; HDDs (if equipped) spinning). Current draw is distributed across multiple slots using supplied rear I/O module. As such, per-slot power consumption is not exceeded for supported 20-slot frames HPF-9000 and oGx models.

Power Consumption (no RAID HDD options): 48.6 W
 Power Consumption (RAID; 1 HDD; typ): 53.6 W
 Power Consumption (RAID; 2 HDD; typ): 58.6 W
 Power Management: ACPI
 Battery: Lithium 3 V / 210 mAh

Environmental

Operational Temperature: 0° to 45° C (32° to 113° F)
 Operational Humidity: 40° C (104° F) @ 95% RH Non-Condensing
 Non-Operational Temperature: -40° C to 85° C (-40° F to 185° F)

ORDERING INFORMATION

OG-PC-x86-A Integral Frame-Installed PC for openGear® Frames supporting up to two HDDs and one M.2 socket (includes rear I/O module)
 (Above base model is base PC for which SSD and OS choices can be added, and a 1TB HDD can be added as described and specified below.)

Options:

- OG-PC-x86-HDD-1TB** 1TB Hard Disk Drive for the OG-PC-x86-A openGear® PC. (Two (2) max per OG-PC-x86-A card)
- OG-PC-x86-SSD-128GB** 128GB M.2 Solid State Drive without Operating System
- OG-PC-x86-SSD-128GB-WIN10IoT** 128GB M.2 SSD with Windows 10 IoT Operating System
- OG-PC-x86-SSD-128GB-WIN7** 128GB M.2 SSD with Windows 7 Embedded Operating System

Note: Options or ordering line items denoted as “-” are hardware orderable items (such as drives pre-loaded or unloaded with OS choices).

Note: OG-PC-x86-A can be equipped to support user-added HDDs (up to two). Please contact your sales representative for more information and ordering details.